

# Backstage<sup>®</sup> Makeup Station

The Backstage Makeup Station will provide performers with a correct and convenient tabletop environment for applying makeup and creating other visual effects. The Backstage Makeup Station includes a large mirror, shadow-free lighting, an electrical outlet, a carry handle, and a grounded power cord.

- 187A011 Backstage Makeup Station with six lights and white accent panels

## The Mirror

- Construction: high quality glass and silvering laminated to a steel backer to prevent separation of shards if broken
- Size: 20-3/4" w x 22-3/4" h (527 x 578 mm)

## The Mirror Surround

- Construction: extruded matte white aluminum with white accents; rugged powder-coat paint finish; base is shaped for compact storage front-to-back
- Handle on top for transporting is part of mirror surround

## The Lighting

- Six medium base sockets provided for 60W incandescents or 15W swirl fluorescents; bulbs are protected by wire cages made from 3/16" (5 mm) diameter steel wire; cages are permanently mounted, but allow easy bulb replacement (bulbs not included)

## The Electrics

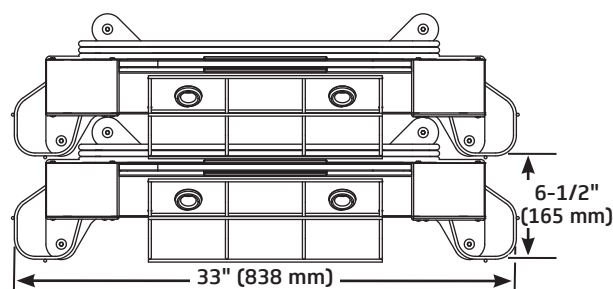
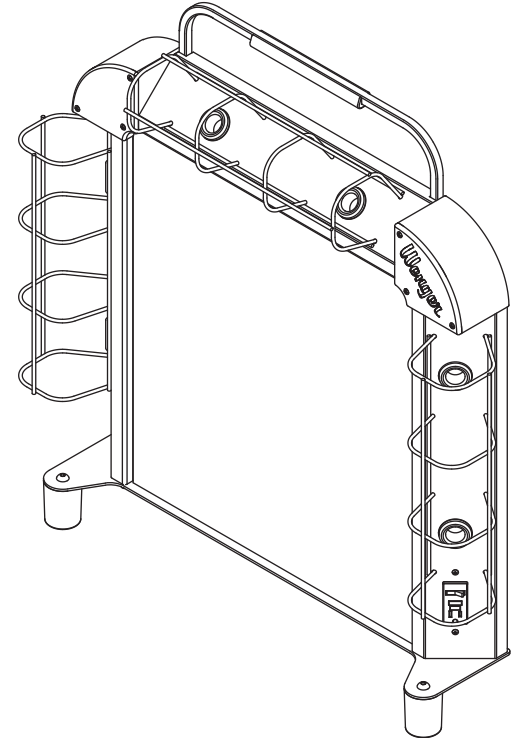
- A rocker switch and grounded outlet are mounted on the lower right side of the mirror surround
- Switch controls lights only
- Attached power cord is 10' (3048 mm) long and stores itself
- UL<sup>®</sup> listed; meets NEC (National Electric Code) requirements

## The Options

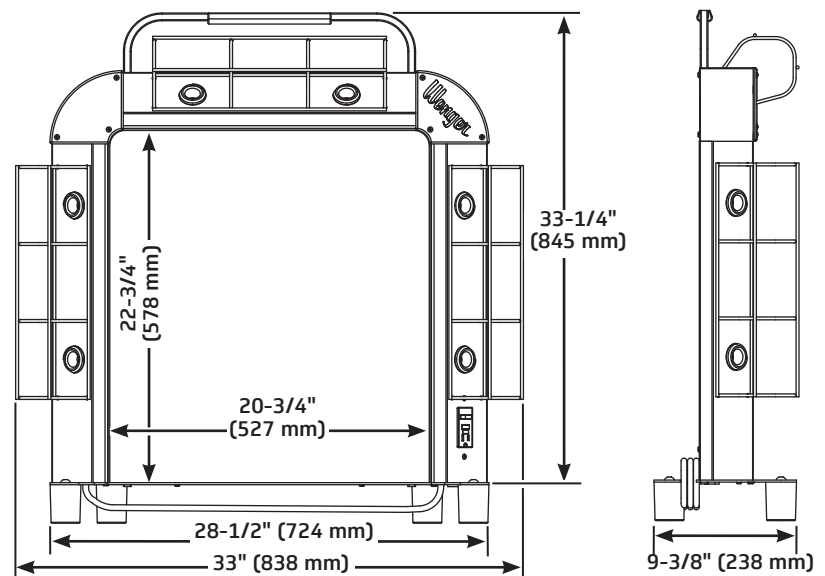
- 187A021 lightweight canvas padded dust cover protects the backstage makeup station from damage and collection of dust

## Physical Dimensions

- Overall Width: 33" (838 mm) (bulb cage-to-bulb cage)
- Overall Height: 33-1/4" (845 mm).
- Overall Depth: 9-3/8" (238 mm).
- Storage Depth: 9-3/8" (238 mm) first unit, 6-1/2" (165 mm) each additional unit
- Weight: 35 lb (16 kg)
- Ten-year warranty



Nested View



Front View

Side View

